



STRIKER

20th ANNIVERSARY



STRIKER SQ1653



JESSEN & JESSEN
TECHNOLOGY | Dry Bulk

Proud Distributor in Indonesia



TRACKED SCREEN

SQ1653 Features



Technical Specification

Hopper

Capacity - 8m³ (10.4yd³)

Performance

Capacity (up to) - 350T/hr

Screenbox

Top Deck - 14' x 5' (4.33m x 1.52m)
 Middle Deck - 14' x 5' (4.33m x 1.52m)
 Bottom Deck - 12' x 5' (3.6m x 1.52m)
 Angle - 22°-34°

Power Pack

Engine Power - 75kW

Operating Dimension

Length - 17500mm (57'5")
 Width - 15600mm (51'2")
 Height - 5266mm (17'3")
 Weight - 29.3T (64,595lbs)

Tail Conveyor

Belt Width - 1050mm (3'5")
 Discharge Height - 4300mm (14'1")

Transport Dimension

Length - 16140mm (52'11")
 Width - 3000mm (9'10")
 Height - 3200mm (10'6")

Side Conveyors

Width - 650mm (2'2")
 Discharge Height - 4400mm (14'5")

Feed & Main Conveyor

Belt Width - 1050mm (3'5")

Options:

Two-deck vibrating grid, 500mm (1'8") Hopper extensions, Radio remote control, Dust covers on main and discharge belts, Screen decks: Mesh or piano wire.

Tracks

Width - 400mm (1'4")

*Subject to change without prior notice.

Belt Feed Hopper - An 8m³ (10.4yd³) capacity variable speed belt feed hopper is fitted. The conveyor belt is 1050mm (3'5") wide and an extra wide opening reduces blockages. Support legs are galvanised.

Remote Tipping Grizzly - The tipping grizzly is hydraulically remote control operated with a feed width of 2.17m (7').

Crusher Chute (option) - A crusher chute can be fitted to the rear of the grizzly allowing a direct feed from crusher or other conveyor without the need to remove the grizzly.

Main Feed Conveyor - The main feed conveyor is 1050mm (3'5") wide. It is fitted with adjustable rubber skirts and an adjustable spreader plate to disperse material evenly onto the screen.

Vibrating Screen - The vibrating screen is a three deck 14' x 5' (4.33m x 1.52m). The screen angle can change from 22° to 34°.

Access Walkways - Easily adjustable access walkways are fitted to allow uninterrupted movement around both sides and the front of the screen unit.

Fines Product Conveyor - The fines product conveyor is an adjustable height 1050mm (3'5") wide heavy duty type conveyor that folds hydraulically for transport.

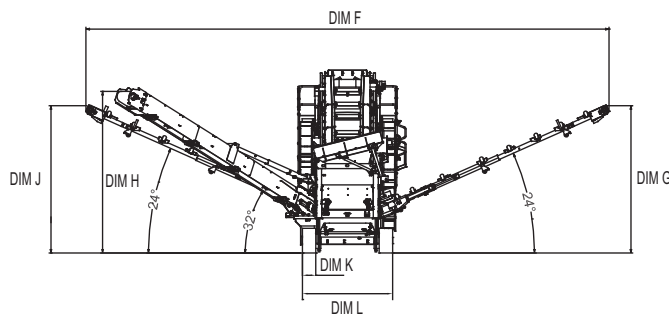
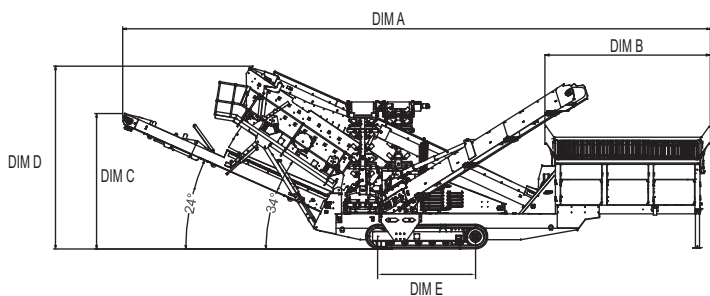
Side Product Conveyors - Both side product conveyors are 650mm (2'2") wide variable speed chevron type belts that are cleated to prevent roll back of material. The return rollers are a rubber disc type to help clean the belt and assist with correct tracking of the belt. The discharge heights are 4400mm (14'5") and the conveyors fold in hydraulically for transport.

Powerpack - Caterpillar type C4.4 75kW (100hp).

Air Cleaner - An 8" Donaldson twin element system complete with a Dust Buster pre cleaner is fitted.

Tracks - 400mm (1'4") wide pads are fitted for stability.

Track Controls - Tracking control is mounted at the rear of the plant and is fitted with a heavy duty socket.



SQ1653	WORKING DIMENSIONS											TRANSPORT			
	A	B	C	D	E	F	G	H	J	K	L	WIDTH	HEIGHT	LENGTH	WEIGHT
METRIC	17500	4950	4300	5266	2920	15600	4400	4800	4400	400	2690	3000	3200	16140	29.3T
IMPERIAL	57' 5"	16' 3"	14' 1"	17' 3"	9' 7"	51' 2"	14' 5"	15' 9"	14' 5"	1' 4"	8' 10"	9' 10"	10' 6"	52' 11"	64,595lbs

*. Weight Variable With Options

Proud Distributor in Indonesia

PT. Jebesen & Jessen Technology Indonesia

Graha Inti Fauzi, 7th Floor
 Jl Buncit Raya, No 22
 12510 Jakarta, Indonesia

Contact Us At : +62 21 27537030
 Email Us At : contact_drybulk@jjsea.com
 Visit Our Website: www.drybulk.jjsea.com



JEBSEN & JESSEN
 TECHNOLOGY | Dry Bulk

While Striker Australia Pty Ltd makes every endeavour to ensure of the information presented in this brochure, we cannot be held liable in any way for any loss or damage for any inaccuracies or errors you may find. Striker Australia Pty Ltd cannot make any warranty as to the fitness of purpose of any goods, equipment or material in this brochure for your purposes and you must use your own endeavours and make your own enquiries in that regard.

SP02SI37-1900